

E-mail to: [info@twigroup.com](mailto:info@twigroup.com)



4480 South Pecos Road  
 Las Vegas, NV 89121  
 phone (702) 691-9048  
 fax (702) 691-9065

Company Name \_\_\_\_\_

Name of Event and Year \_\_\_\_\_

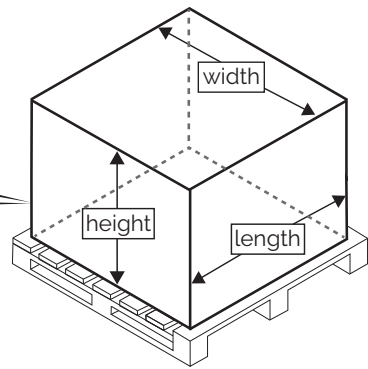
Pick Up Address \_\_\_\_\_

\_\_\_\_\_

\_\_\_\_\_

\_\_\_\_\_

Dimensions in Inches (in)  
 \_\_\_\_\_ (in) \_\_\_\_\_ (in) \_\_\_\_\_ (in)  
 Length x Width x Height



Loading Dock at Pick Up Location  Liftgate Needed

Temporary  (Good returning after event)      Permanent  (Good staying after event)      Both

**\* Is there any of the following in this shipment?**

- Medical Equipment       Cleaning Product(s)       Food Item(s)       Battery/ies  
 Telecommunication Equipment       Military Equipment       First Aid Kit

Piece Number	Length x Width x Height			In Pounds	For Customs/Insurance	For Transit Placement
	Dimensions (inches)			Estimated Weight	Estimated Costs	Can Goods Be Stacked
						<input type="checkbox"/> Yes <input type="checkbox"/> No
						<input type="checkbox"/> Yes <input type="checkbox"/> No
						<input type="checkbox"/> Yes <input type="checkbox"/> No
						<input type="checkbox"/> Yes <input type="checkbox"/> No
						<input type="checkbox"/> Yes <input type="checkbox"/> No
						<input type="checkbox"/> Yes <input type="checkbox"/> No
						<input type="checkbox"/> Yes <input type="checkbox"/> No

Destination after show/event \_\_\_\_\_  
 \_\_\_\_\_  
 \_\_\_\_\_  
 \_\_\_\_\_

- Air (normal 14 - 21 days)  
 Air (rush 7 - 10 days)  
 Ocean  
 Truck  
 No Return

